



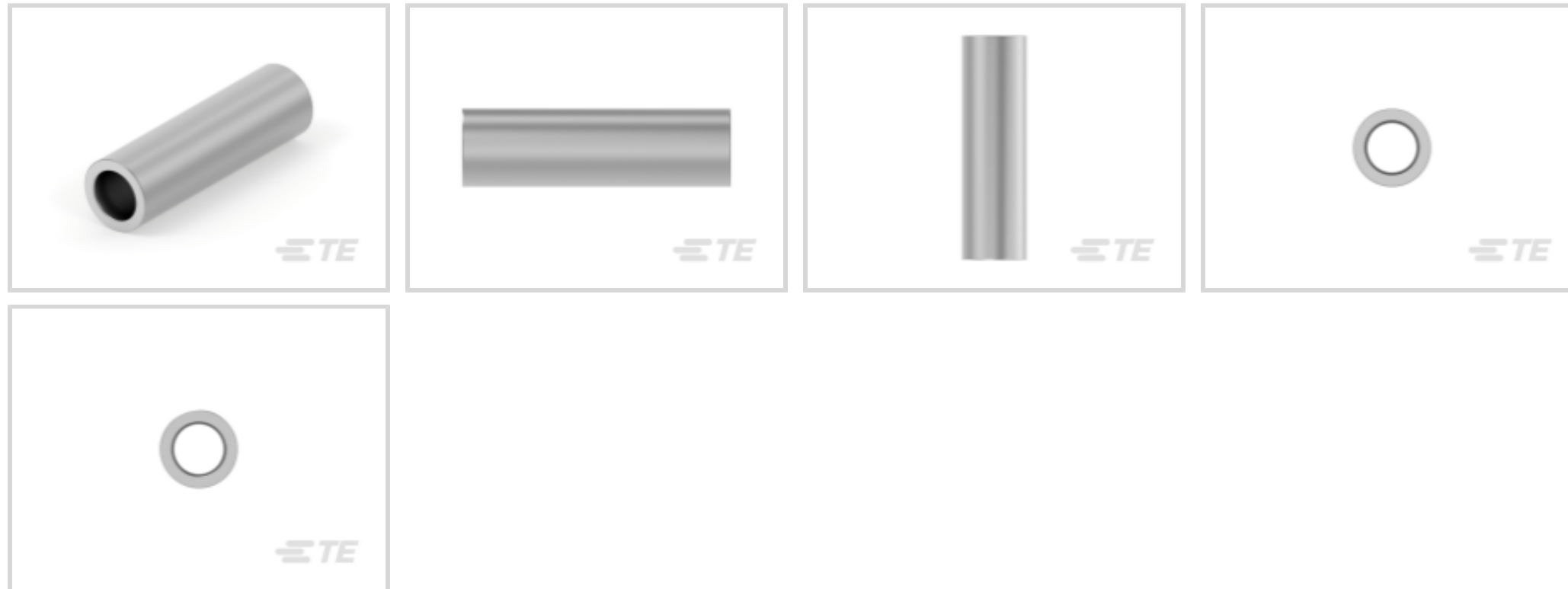
SOLISTRAND

TE Internal #: 330369

Splices, 12 – 10 AWG Wire Size, 3 – 6 mm² Wire Size, Sight Hole, .129 in [3.28 mm] Barrel Inside Diameter, 5180 – 13100 CMA Wire Size, Copper

[View on TE.com >](#)

Terminals & Splices > Splices



Wire Size: **3 – 6 mm²**

Sealable: **No**

Splice Features: **Sight Hole**

Barrel Inside Diameter: **3.28 mm [.129 in]**

Features

Product Type Features

Discrete Wire Type	Solid or Stranded
Splice Accessory Type	Splice
Sealable	No
Splice Type	Butt Splice
Serrated	Yes
Compatible With Discrete Wire Type	Solid, Stranded
Wire Insulation Support Retention Type	Non-Insulation Support

Configuration Features

Number of Serrations	16
Compatible With Wire & Cable Type	Discrete Wire

Body Features

Plating Thickness	2.54 µm[100 µin]
Plating Material	Tin
Splice Features	Sight Hole
Primary Product Material	Copper

Contact Features

Contact Plating Material	Tin
Contact Plating Thickness	2.54 µm[100 µin]
Barrel Type	Closed

Mechanical Attachment

Wire Insulation Support	Without
-------------------------	---------

Dimensions

Inside Diameter (Recovered)	3.28 mm[.129 in]
Outside Diameter	5.74 mm[.226 in]
Wire Size	5180 – 13100 CMA
Barrel Inside Diameter	3.28 mm[.129 in]
Terminal Material Thickness	1.07 mm[.042 in]
Overall Product Length	14.4 mm[.567 in]

Usage Conditions

High Temperature Rating	170 °C[338 °F]
Insulation Option	Uninsulated
Operating Temperature Range	170 °C[338 °F]

Operation/Application

Heavy Duty	No
Compatible With Wire Base Material	Copper

Industry Standards

Government Qualified Splice	No
-----------------------------	----

Packaging Features

Packaging Quantity	500
Packaging Method	Loose Piece

Other

Military Category	No
-------------------	----

Product Compliance

[For compliance documentation, visit the product page on TE.com>](#)

EU RoHS Directive 2011/65/EU	Compliant
------------------------------	-----------

EU ELV Directive 2000/53/EC

Compliant

China RoHS 2 Directive MIIT Order No 32, 2016

No Restricted Materials Above Threshold

EU REACH Regulation (EC) No. 1907/2006

Current ECHA Candidate List: JUNE 2022 (224)

Candidate List Declared Against: JUNE 2022 (224)

Does not contain REACH SVHC

Halogen Content

Low Halogen - Br, Cl, F, I < 900 ppm per homogenous material. Also BFR/CFR/PVC Free

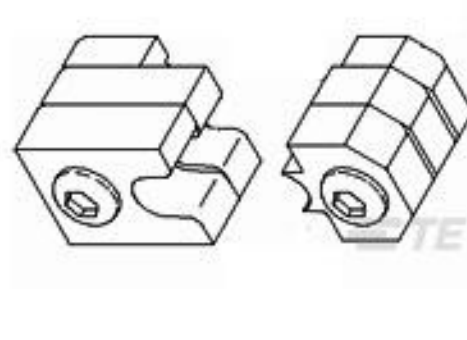
Solder Process Capability

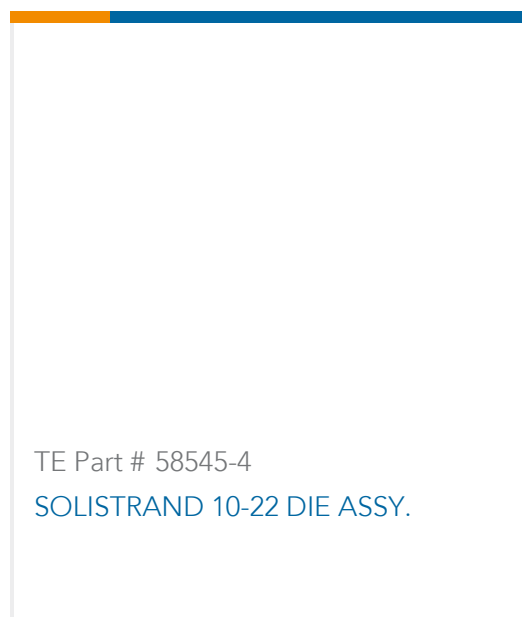
Not applicable for solder process capability

Product Compliance Disclaimer

This information is provided based on reasonable inquiry of our suppliers and represents our current actual knowledge based on the information they provided. This information is subject to change. The part numbers that TE has identified as EU RoHS compliant have a maximum concentration of 0.1% by weight in homogenous materials for lead, hexavalent chromium, mercury, PBB, PBDE, DBP, BBP, DEHP, DIBP, and 0.01% for cadmium, or qualify for an exemption to these limits as defined in the Annexes of Directive 2011/65/EU (RoHS2). Finished electrical and electronic equipment products will be CE marked as required by Directive 2011/65/EU. Components may not be CE marked. Additionally, the part numbers that TE has identified as EU ELV compliant have a maximum concentration of 0.1% by weight in homogenous materials for lead, hexavalent chromium, and mercury, and 0.01% for cadmium, or qualify for an exemption to these limits as defined in the Annexes of Directive 2000/53/EC (ELV). Regarding the REACH Regulation, the information TE provides on SVHC in articles for this part number is based on the latest European Chemicals Agency (ECHA) 'Guidance on requirements for substances in articles' posted at this URL: <https://echa.europa.eu/guidance-documents/guidance-on-reach>

Compatible Parts

TE Part # 58545-1
SOLISTRAND 10-22 DIE ASSYTE Part # 49935
DAHT SOLIS 22-10 ASSYTE Part # 58546-1
PC 22-10 SOLISSPICE SPL I SHTTE Part # 525693
DAHT SOLIS 22-10 ASSYTE Part # 58545-3
SDE DIE ASSY. 22-10 SOLISTRANDTE Part # 47814
DIES SOLIS 12-10 DIE SETTE Part # 539662-2
MATR SOLISTR 0,3-6,TE Part # 169400
CERTI-LOK FRAME W/O DIES



Documents

Product Drawings

[SPLICE,SOLIS BUTT 12-10](#)

English

CAD Files

[3D PDF](#)

3D

Customer View Model

[ENG_CVM_CVM_330369_J.2d_dxf.zip](#)

English

Customer View Model

[ENG_CVM_CVM_330369_J.3d_igs.zip](#)

English

Customer View Model

[ENG_CVM_CVM_330369_J.3d_stp.zip](#)

English

By downloading the CAD file I accept and agree to the [Terms and Conditions](#) of use.

Product Environmental Compliance

[MD_330369_110620181317_dmtec](#)

English

[MD_330369_110620181317_dmtec](#)

English

Agency Approvals

[UL Report](#)

English